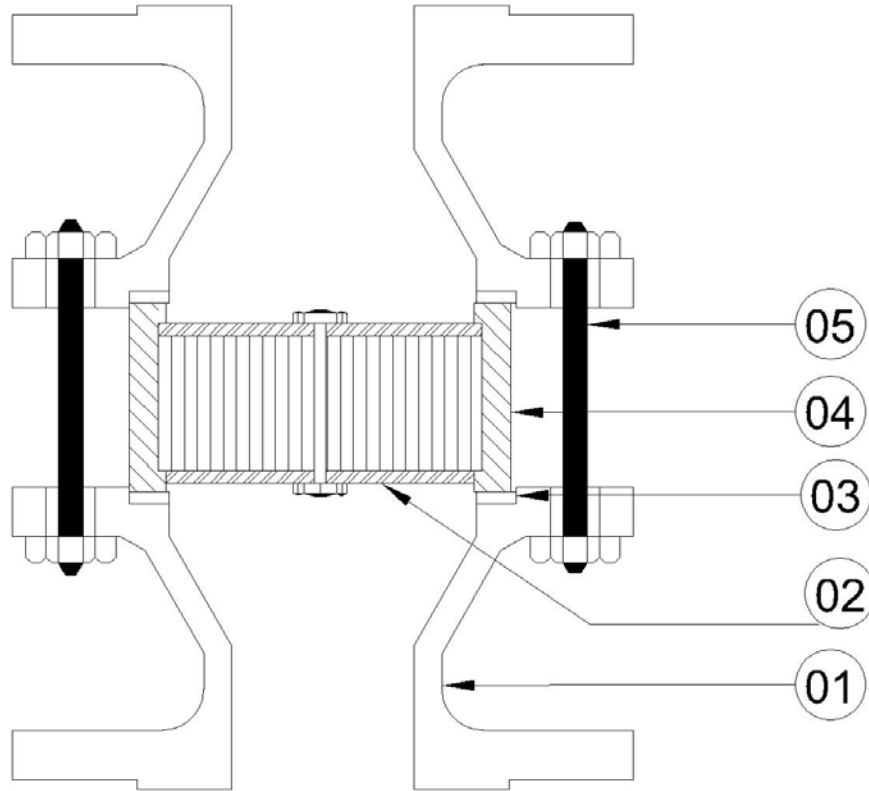


**FLAME ARRESTER**

**IN LINE FLAME ARRESTER**



Model No. KES/FA/IL/NB

SIZE:15NB to 800 NB

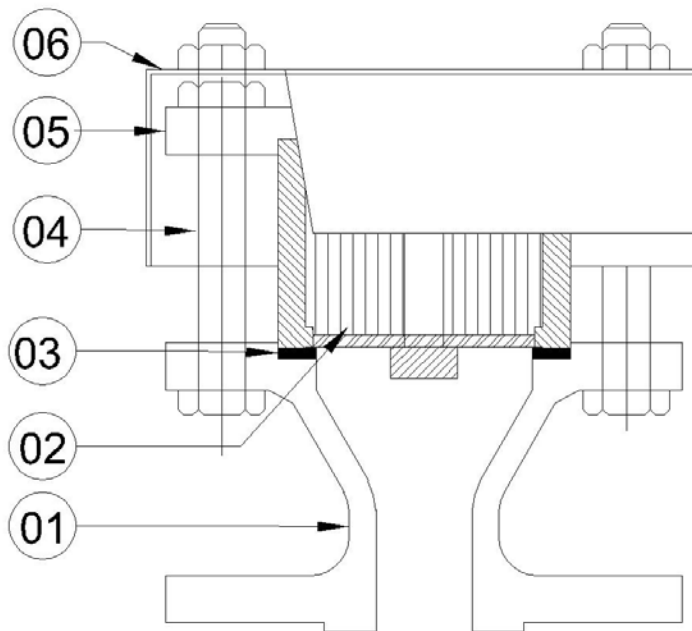
<b>1</b>	<b>Material of Construction</b>	Cast Al LM6, Cast Steel ASTM A 216 WCB/ A351 CF8/ A351 CF8M, Haste Alloy, PTFE Lined
<b>2</b>	<b>Bank Element</b>	SS 304, SS 316, Hastelloy-C
<b>3</b>	<b>Gasket</b>	CAF, PTFE, FEP, Metallic Spiral Wound Graphite
<b>4</b>	<b>Bank Shell</b>	Cast Steel, SS 304, SS 316, Hastelloy-C, A 351 CF8/CF8m
<b>5</b>	<b>Nut Bolts</b>	M.S Zinc Plated, ASTM A 193 B7/B8, A 351 CF8/CF8m

## Special Features on Customer's requirement:

- (i) Specific size & Material
- (ii) Steam Jacketed
- (iii) Temperature Sensor

We also manufacture flame arresters for service complying NACE Standards.

## END OF LINE FLAME ARRESTER



Model No. KES/FA/EL/NB

Size: 15NB to 800 NB

<b>1</b>	<b>Material of Construction</b>	Cast Al LM6, Cast Steel ASTM A 216 WCB/ A351 CF8/ A351 CF8M, Hastelloy, PTFE Lined
<b>2</b>	<b>Bank Element</b>	SS 304, SS 316, Hastelloy-C
<b>3</b>	<b>Gasket</b>	CAF, PTFE, FEP, Metallic Spiral Wound Graphite
<b>4</b>	<b>Nut Bolts</b>	M.S Zinc Plated, ASTM A 193 B7/B8, A 351 CF8/CF8m
<b>5</b>	<b>End Connection</b>	Flanged, Threaded
<b>6</b>	<b>Weather Hood</b>	Cast Steel, Stainless Steel, PFA lined
<b>7</b>	<b>MESG</b>	As per gas group in Data sheet

**Special Features on Customer's requirement:**

- (i) Specific size & Material
- (ii) Steam Jacketed
- (iii) Temperature Sensor

### EXPLOSION GROUP

<b>MESG</b>	<b>Explosion Group (IEC/CEN)</b>	<b>Gas Group (NEC)</b>
≥0.65	II B3	C
<0.5	II C	B
>0.9	II A	D