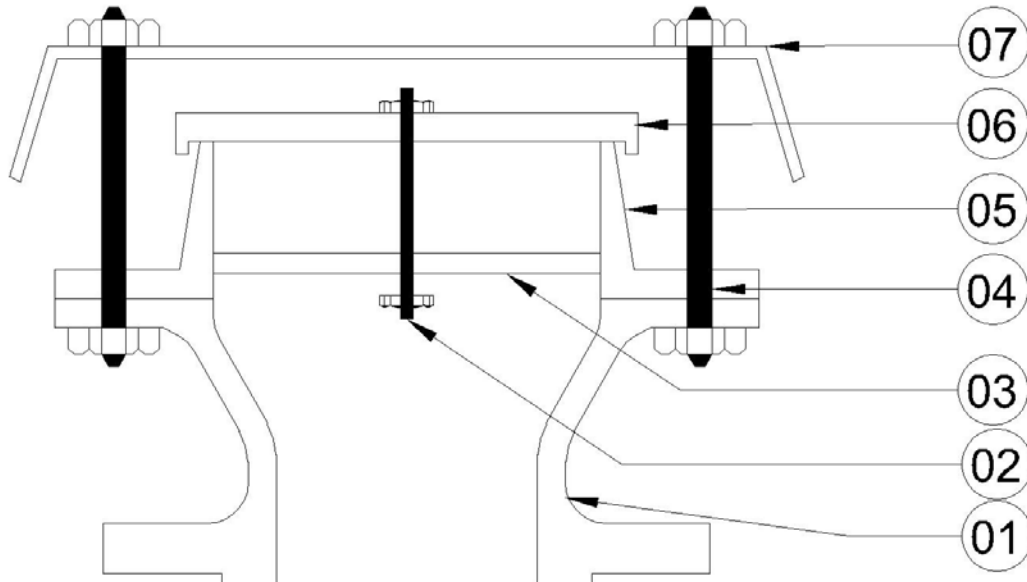


BREATHER VALVE

PRESSURE RELIEF VALVE



Model No. KES/BV/PRV/NB

Size: 25 NB to 600 NB

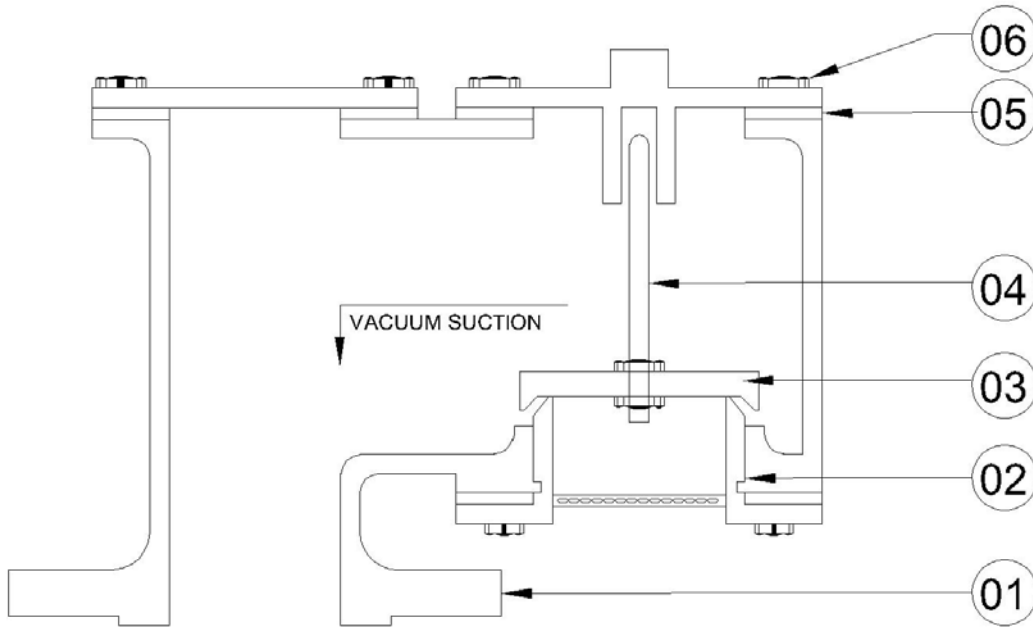
1	Material of Construction	Cast Al LM6, Cast Steel ASTM A 216 WCB, A351 CF8, A351 CF8M, Hastelloy, PTFE Lined
2	Stem	SS 304, SS 316, Hastelloy, PTFE Lined
3	Pallet Guide	SS 304, SS 316, Hastelloy, PTFE Lined
4	Nut Bolts	M.S Zinc Plated, ASTM A 193 B7/B8, A 351 CF8/CF8m
5	Seat	Cast Steel, SS 304, SS 316, Hastelloy-C, PTFE Lined
6	Pallet	Cast Steel, SS 304, SS 316, Hastelloy, PTFE Lined
7	Weather Hood	Cast Steel, FRP mould, Aluminium, PFA Lined

Special Features on Customer's requirement:

- (i) Specific size & Material

(ii) Steam Jacketed

VACUUM RELIEF VALVE



Model No. KES/BV/VRV/NB

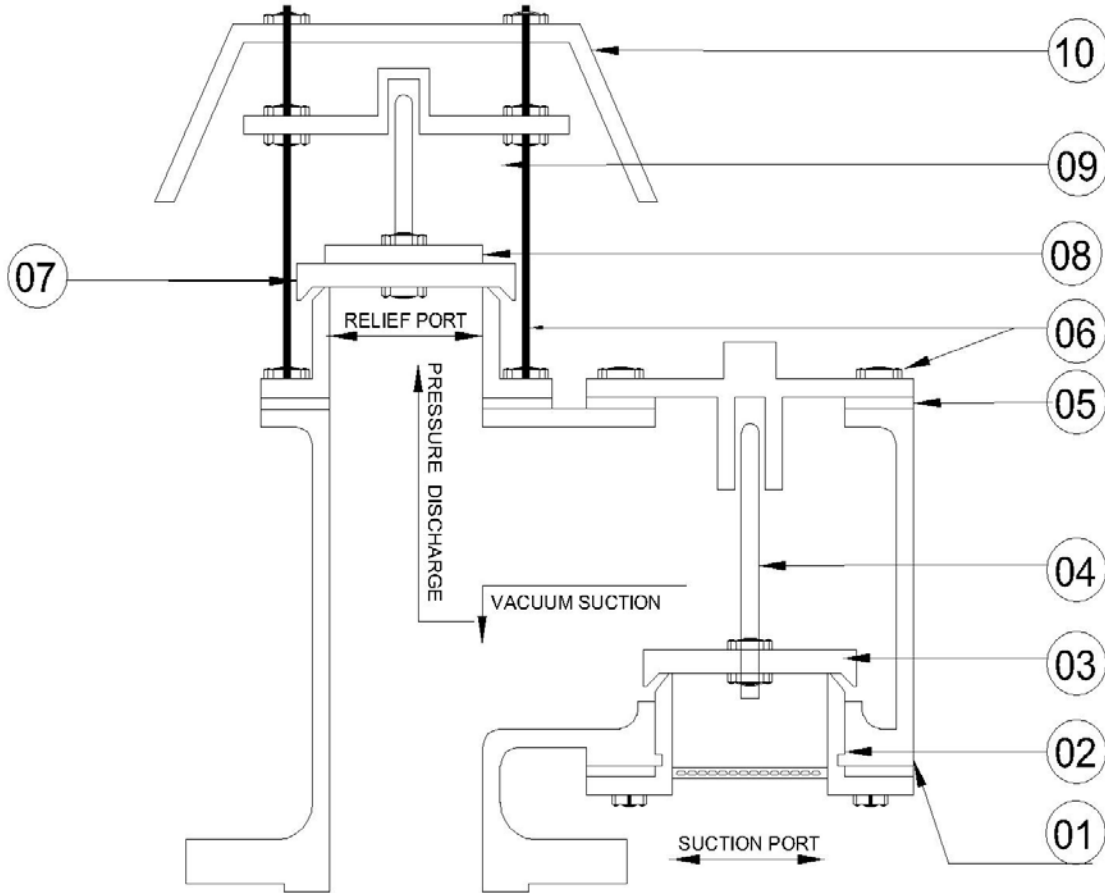
Size: 25 NB to 600 NB

1	Material of Construction	Cast Al LM6, Cast Steel ASTM A 216 WCB, A351 CF8, A351 CF8M, Hastelloy, PTFE Lined
2	Seat	Cast Steel, SS 304, SS 316, Hastelloy-C, PTFE Lined
3	Vacuum Pallet	Cast Steel, SS 304, SS 316, Hastelloy-C, PTFE Lined
4	Stem	SS 304, SS 316, Hastelloy-C, PTFE Lined
5	Gasket	PTFE, CAF, Graphite, PFA
6	Nut Bolts	M.S Zinc Plated, ASTM A 193 B7/B8, A 351 CF8/CF8m

Special Features on Customer's requirement:

- (i) Specific size & Material
- (ii) Steam Jacketed

PRESSURE VACUUM RELIEF VALVE



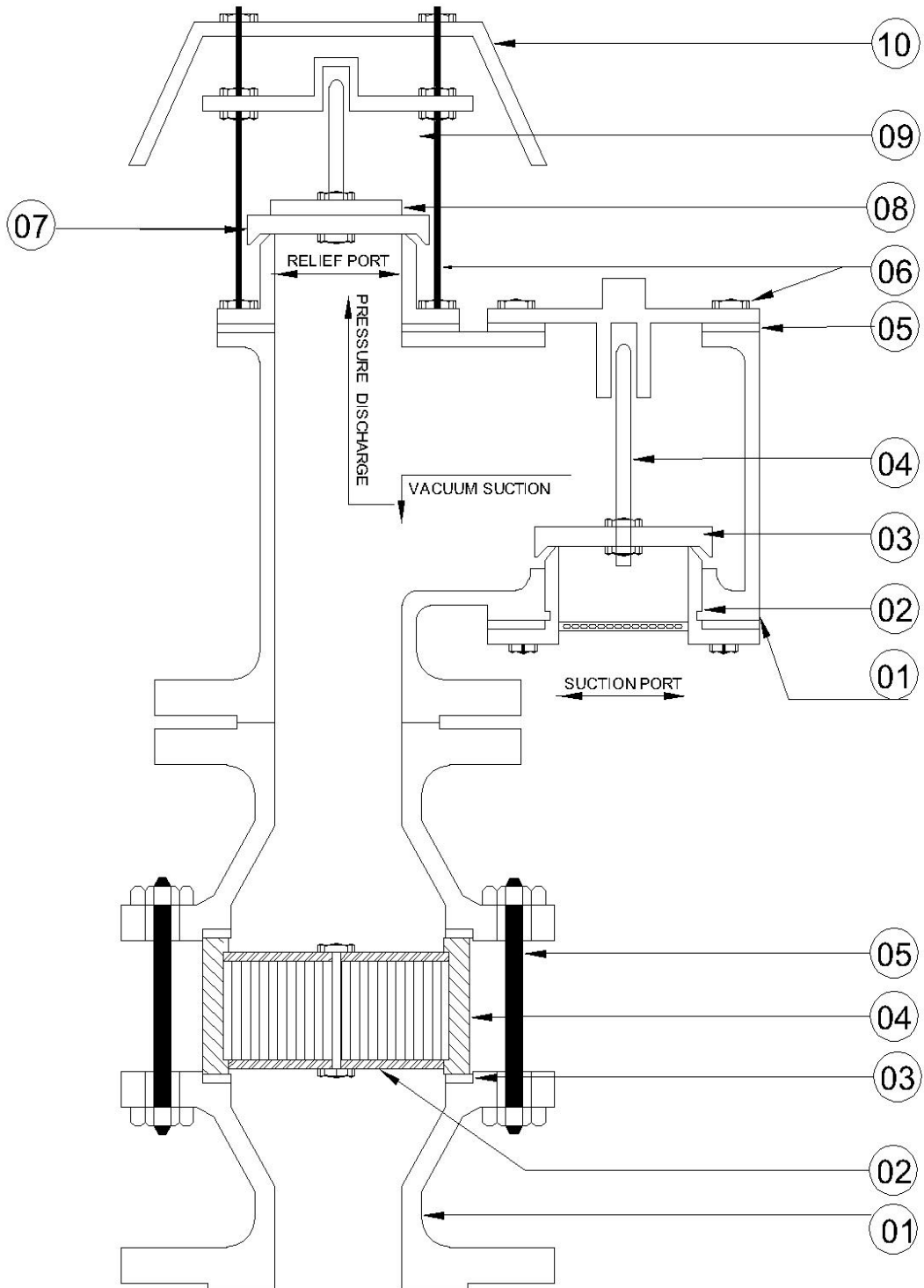
Model No. KES/BV/PVRV/NB

Size:25 NB to 600 NB

1	Material Construction	of	Cast Al LM6, Cast Steel ASTM A 216 WCB, A351 CF8, A351 CF8M, Hastelloy, PTFE Lined
2	Seat		Cast Steel, SS 304, SS 316, Hastelloy-C, PTFE Lined
3	Vacuum Pallet		Cast Steel, SS 304, SS 316, Hastelloy-C, PTFE Lined
4	Pallet Stem		Cast Steel, SS 304, SS 316, Hastelloy-C
5	Gasket/Packing		PTFE, CAF, Graphite, PFA

6	Fastener & Stud	M.S Zinc Plated, ASTM A 193 B7/B8, A 351 CF8/CF8M
7	Pressure Pallet	Cast Steel, SS 304, SS 316, Hastelloy-C, PTFE Lined
8	Dead Weight	SS 316, SS 304, PTFE Lined
9	Bird Screen	SS wire mesh, perforated sheet
10	Weather Hood	Cast Steel, Stainless Steel, PFA Lined

BREATHER VALVE WITH FLAME ARRESTER



Model No. KES/BVFA/NB

Size: 25 NB to 600 NB

BREATHER VALVE

1	Material of Construction	Cast Al LM6, Cast Steel ASTM A 216 WCB, A351 CF8, A351 CF8M, Hastelloy, PTFE Lined
2	Seat	Cast Steel, SS 304, SS 316, Hastelloy-C, PTFE Lined
3	Vacuum Pallet	Cast Steel, SS 304, SS 316, Hastelloy-C, PTFE Lined
4	Pallet Stem	Cast Steel, SS 304, SS 316, Hastelloy-C
5	Gasket/Packing	PTFE, CAF, Graphite, PFA
6	Fastener & Stud	M.S Zinc Plated, ASTM A 193 B7/B8, A 351 CF8/CF8M
7	Pressure Pallet	Cast Steel, SS 304, SS 316, Hastelloy, PTFE Lined
8	Dead Weight	SS 316, SS 304, PTFE Lined
9	Bird Screen	SS wire mesh, perforated sheet
10	Weather Hood	Cast Steel, Stainless Steel, PFA Lined

FLAME ARRESTER

1	Body	Cast Al LM6, Cast Steel ASTM A 216 WCB, A351 CF8, A351 CF8M, Hastelloy, PTFE Lined
2	Flame Element	SS 304, SS 316, Hastelloy-C
3	Gasket	PTFE, CAF, Graphite, PFA
4	Flame Bank	SS 304, SS 316, Hastelloy-C
5	Fastener	M.S Zinc Plated, ASTM A 193 B7/B8, A 351 CF8/CF8M